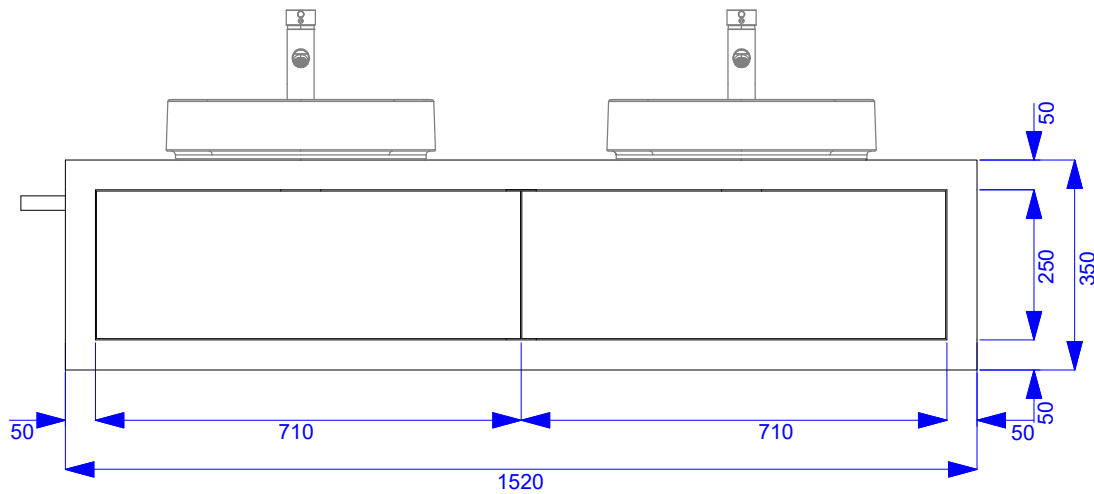
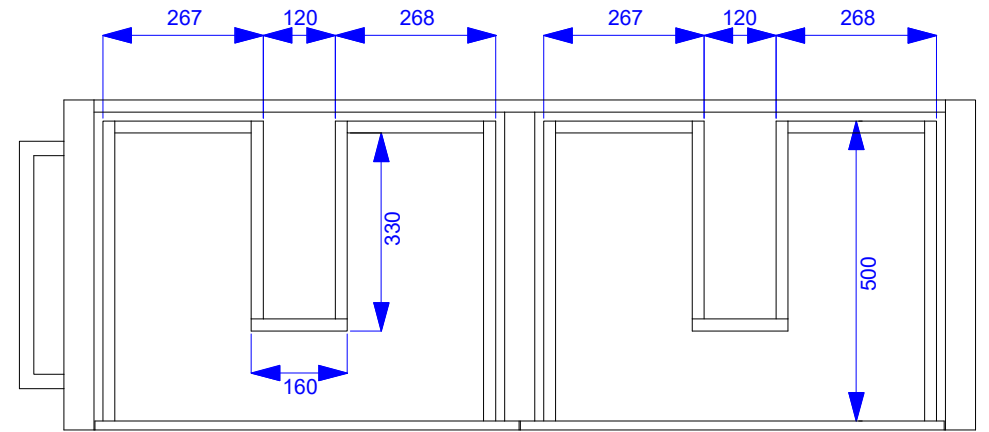
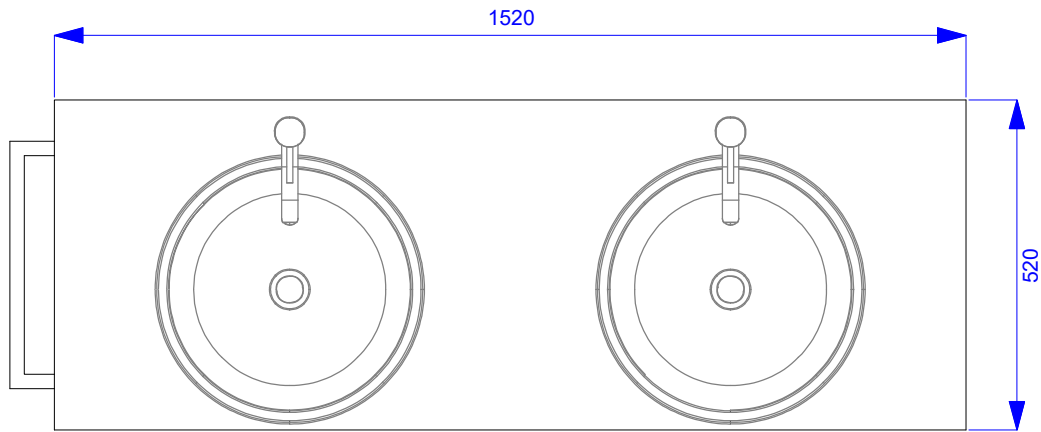
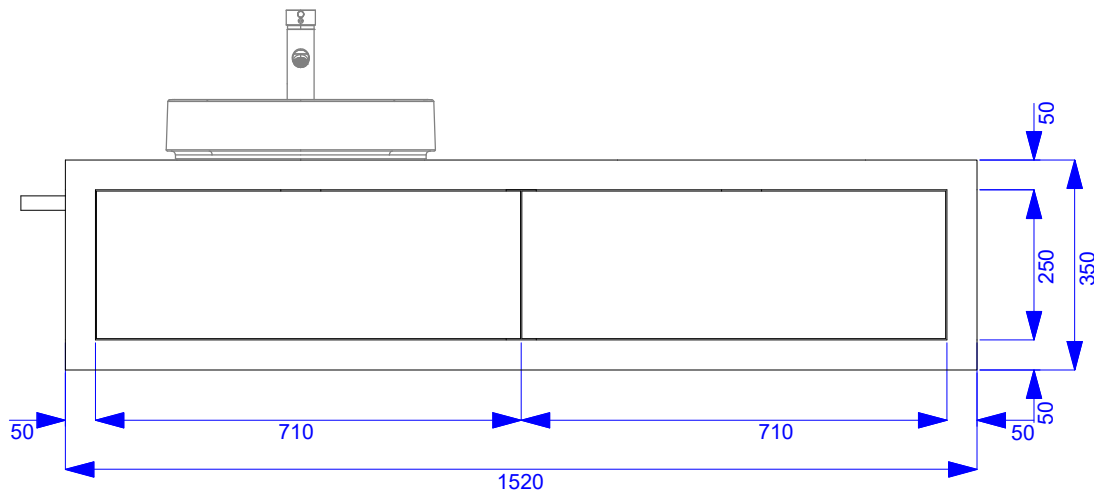
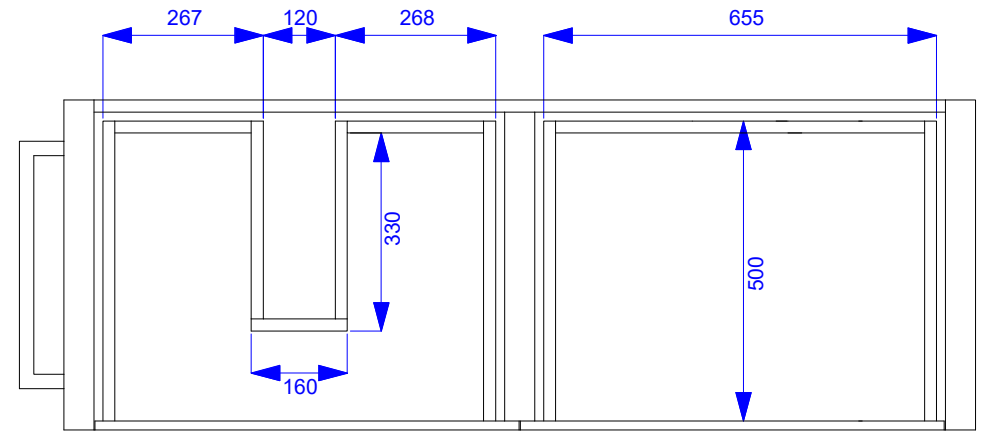
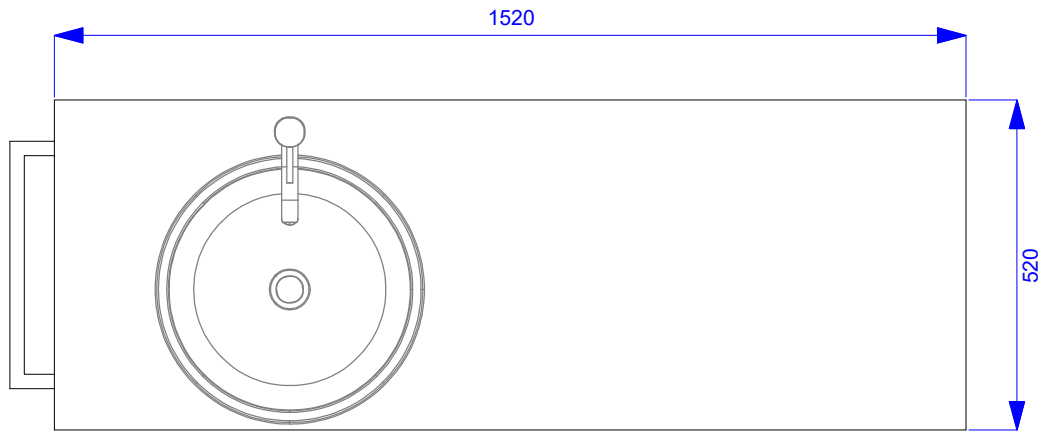


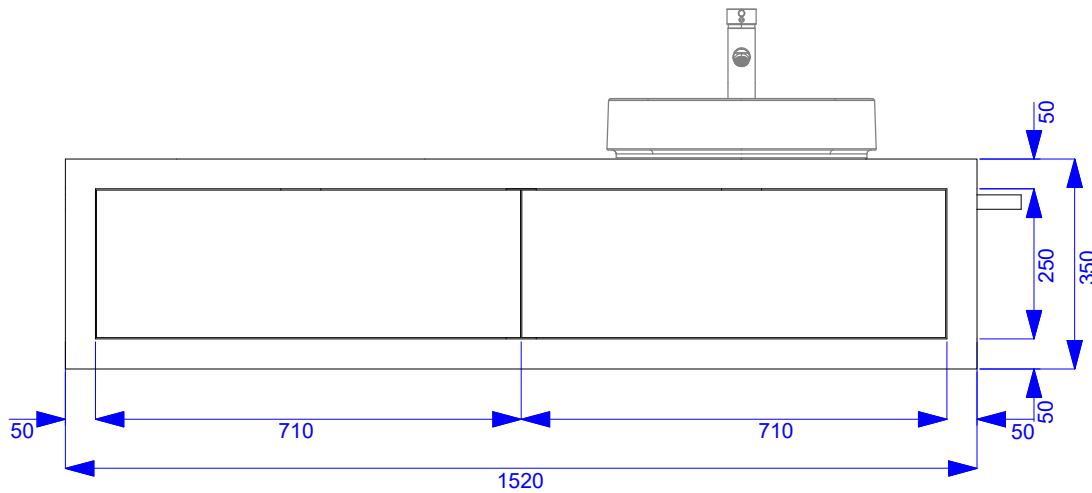
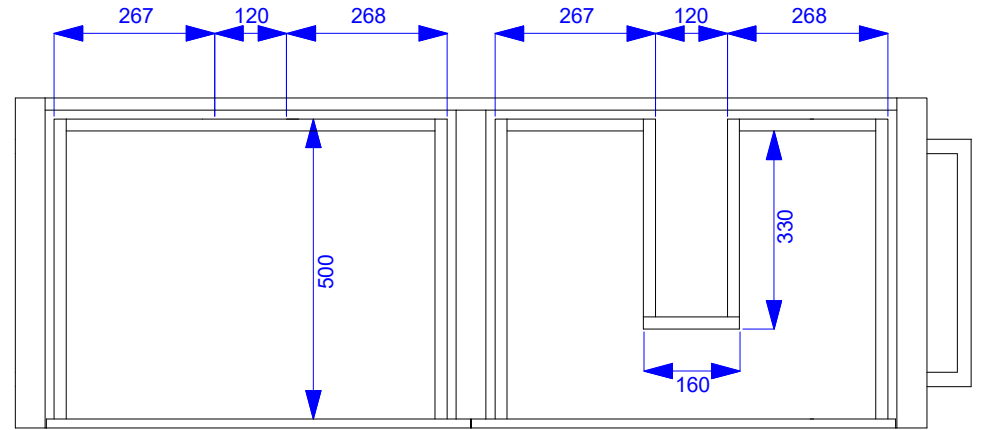
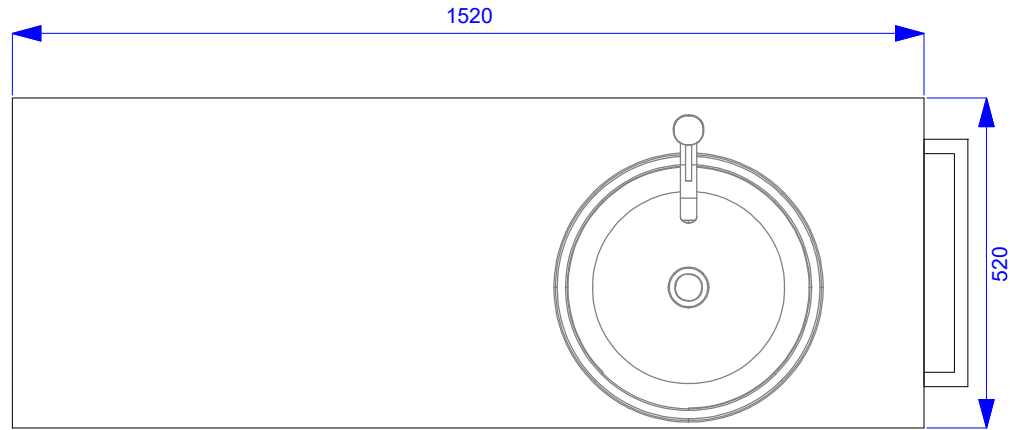
DRAWN OLEG DIODOROV	2020-03-16	TITLE Millennium-150/1 Storage Cabinet by Aquatica		
CHECKED				
QA				
APPROVED				
		SIZE C	DWG NO	REV
		SCALE		SHEET 1 OF 1



DRAWN OLEG DIODOROV	2020-03-16	TITLE Millennium-150/2 Storage Cabinet by Aquatica		
CHECKED				
QA				
APPROVED				
		SIZE C	DWG NO	REV
		SCALE		SHEET 1 OF 1



DRAWN OLEG DIODOROV	2020-03-16	TITLE Millennium-150/3 Left Storage Cabinet by Aquatica		
CHECKED				
QA				
APPROVED				
		SIZE C	DWG NO	REV
		SCALE		SHEET 1 OF 1



DRAWN OLEG DIODOROV	2020-03-16	Millennium-150/3 Right Storage Cabinet by Aquatica		
CHECKED				
QA				
APPROVED				
		SIZE C	DWG NO	REV
		SCALE		SHEET 1 OF 1